

# DTT-11/18/23 ECO-ENERGY TUMBLE DRYERS



## TOUCH II

User friendly and totally programmable 7" Touch II USB Connection. PC software free of charge for programming, traceability, data analysis... Videos on display (ads, instructions, etc.) 37 languages



## OUTSTANDING FEATURES

Reversing drum action as standard  
Stainless steel drum as standard  
Frequency inverter as standard



## EFFICIENCY

EFFICIENT DRY - Intelligent humidity control. With new drum inlet temperature control.  
AIR RE-CYCLE - Efficient air recirculation system  
THERMAL INSULATION - Complete air-flow circuit  
Double door glass  
FULL FLOW - New 'optimized' system of mixed airflow  
Big fluff filter



## VERSATILITY

Make to order - customisation  
WET CLEANING



## CONNECTIVITY

Remote technical service  
Management of laundries



## ERGONOMICS

Drawer as fluff filter, made of stainless steel  
Biggest door diameters  
Opening sense of door adjustable on site



## MAINTENANCE

Hinged panel: easy and ergonomic access  
Technical menu: statistics, alarm, autotest, data recovery for technicians and maintenance



## OTHERS

Grey skinplate outer casing, stainless steel look  
Transmission by direct drive  
SFEX - Integrated Fire Extinguishing System  
SOFT DRY - new drum with stamped holes  
COOL DOWN - anti-wrinkle at the end of the cycle  
Heating options: electric, gas and steam  
CE approved

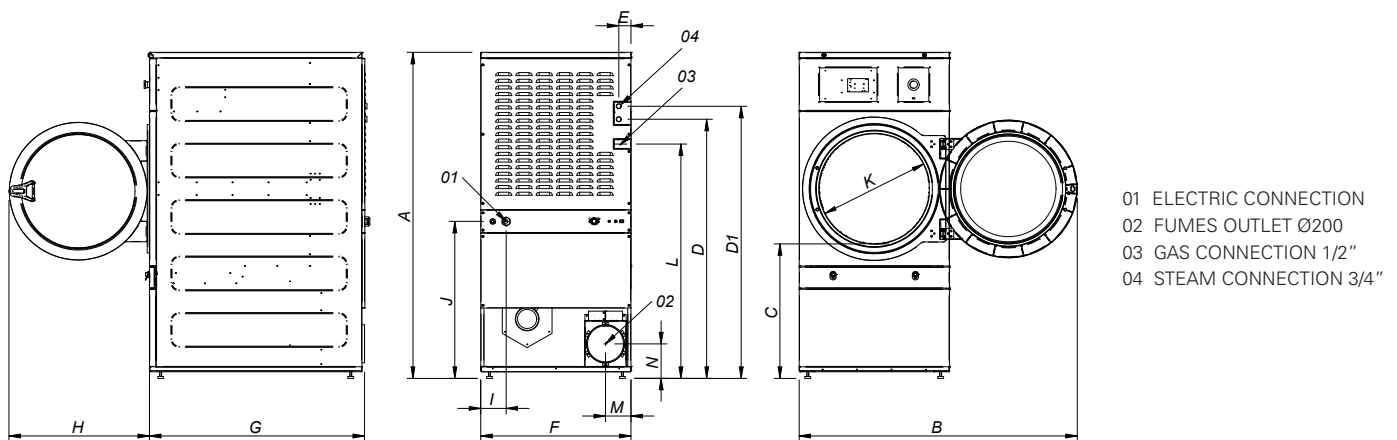


## OPTIONS

- New dosing/vaporizing system
- Printer
- DomusConnect communication kit
- Tropicalized model
- Stainless steel AISI 304 outer casing
- Stainless steel AISI 304 front panel
- Stainless steel battery
- Low pressure steam battery
- Wooden packing
- Reverse door opening
- Exhaust silencer Ø200
- Rear panel external air + filter
- Ship voltage for electric models: 440V III 50/60 Hz No N

TECHNICAL DATA	UNIT.	DTT-11 ECO-ENERGY	DTT-18 ECO-ENERGY	DTT-23 ECO-ENERGY			
<b>CAPACITY</b>							
Capacity 1/18	Kg	12	18	26			
Capacity 1/20	Kg	11	17	23			
Hourly Output ECO-ENERGY*	Kg/h	31,3	33,6	44,5			
Evaporation capacity ECO-ENERGY*	l/h	15	16,3	23			
<b>DRUM</b>							
Ø Drum	mm	750	750	855			
Ø Door (load hole)	mm	574	574	574			
Door center height	mm	976	976	1030			
Load hole bottom height	mm	689	689	743			
Drum length	mm	475	746	800			
Drum volume	l	210	330	460			
<b>POWER</b>							
Drum motor power	Kw	0,37	0,37	0,37			
Fan motor power ECO-ENERGY	Kw	0,55	0,55	0,75			
Electric heating power ALL RANGES	Kw	12	18	24			
Total electric power (elec.model) ECO-ENERGY	Kw	12,97	18,97	25,17			
Gas heating power ALL RANGES	Kw	20,51	20,51	31			
Total electric power (gas model) ECO-ENERGY	Kw	0,97	0,97	1,17			
Steam heating power ALL RANGES	Kw	30	30	49,2			
Steam heating power (gas model) ECO-ENERGY	Kw	0,97	0,97	1,17			
<b>CONNECTIONS</b>		<b>ELECTRICAL</b>	<b>STEAM / GAS</b>	<b>ELECTRICAL</b>	<b>STEAM / GAS</b>	<b>ELECTRICAL</b>	<b>STEAM / GAS</b>
Tension 230V - I + N + T	N° x mm2 / A	3 x 35 / 63A	3 x 1,5 / 20A	-	3 x 1,5 / 20A	-	3 x 1,5 / 20A
Tension 230V - III + T	N° x mm2 / A	4 x 10 / 40A	3 x 1,5 / 20A	4 x 16/ 63A	3 x 1,5 / 20A	4 x 25 / 80A	3 x 1,5 / 20A
Tension 400V - III + N + T	N° x mm2 / A	5 x 4 / 25A	3 x 1,5 / 20A	5 x 10/ 32A	3 x 1,5 / 20A	5 x 10 / 40A	3 x 1,5 / 20A
Ø Gas inlet	BSP	1/2"		1/2"		1/2"	
Ø Steam inlet	BSP	3/4"		3/4"		1"	
Ø Condensed (Steam models)	BSP	3/4"		3/4"		1"	
<b>DIMENSIONS / PACKING DIMENSIONS</b>							
Net Width / Gross Width	mm	785 / 865		785 / 865		890 / 970	
Net Depth / Gross Depth	mm	855 / 940		1.125 / 1.210		1.255 / 1.345	
Net Height / Gross Height	mm	1.694 / 1.840		1.694 / 1.840		1.812 / 1.940	
Height without heating battery	mm	-		-		-	
Net weight / Gross weight	Kg	172 / 180		187 / 200		210 / 230	
<b>OTHERS</b>							
Max airflow ECO-ENERGY	m3/h	1.200		1.200		1.500	
Ø Fume exhaust	mm	200		200		200	
Sound level ECO-ENERGY	dB	64		64		65	

\* It may vary depending on the type of heating, filter cleanliness or extraction type.



	A	B	C	D	D1	E	F	G	H	I	J	K	L	M	N
DTT-11	1694	1447	689	1354	1422	68	785	855	735	95	821	575	1226	133	180
DTT-18	1694	1447	689	1354	1422	68	785	1125	735	95	821	575	1226	133	180
DTT-23	1812	1552	743	1430	1532	112	890	1255	735	205	862	575	1344	133	180