

DTM-11/18/23 COMFORT TUMBLE DRYERS



M PROGRAMMER

New M programmer: push buttons to control temperature and time



OUTSTANDING FEATURES

Reversing drum action as standard
Stainless steel drum as standard
Frequency inverter as standard



EFFICIENCY

DOUBLE FLOW - mixed axial-radial airflow
Big fluff filter



VERSATILITY

Make to order - customisation
OPL > Multivending - Standard OPL model easily transformable to coin laundry uses



ERGONOMICS

Drawer as fluff filter, made of stainless steel
Biggest door diameters
Opening sense of door adjustable on site



MAINTENANCE

Hinged panel: easy and ergonomic access
Technical menu: statistics, alarm, autotest, data recovery for technicians and maintenance with M console



OTHERS

Grey skinplate outer casing, stainless steel look
Transmission by direct drive
SOFT DRY - new drum with stamped holes
COOL DOWN - anti-wrinkle at the end of the cycle
Heating options: electric, gas and steam
CE approved

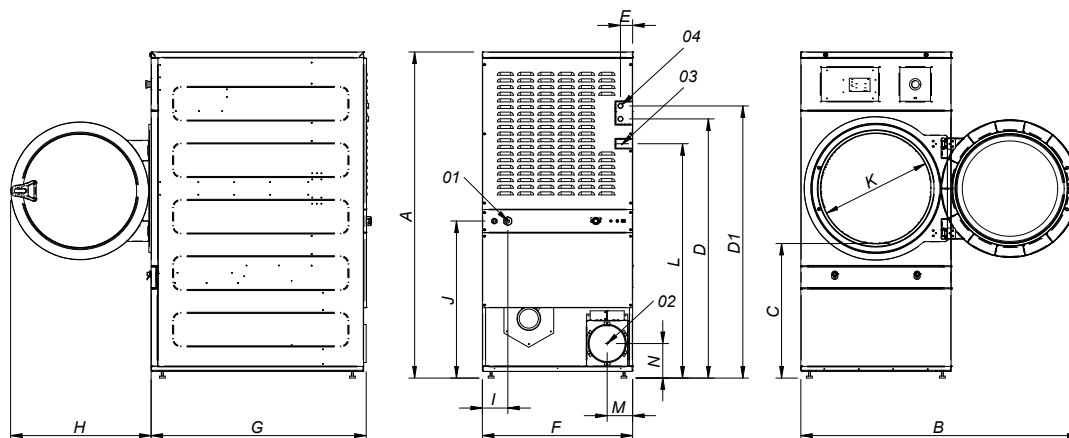


OPTIONS

- New M Control with display
- M Control programming console
- Double doorglass
- Reverse door opening
- Rear panel external air + filter
- Stainless steel steam battery
- Low pressure steam battery
- Wooden packing
- Exhaust silencer Ø200
- Ship voltage for electric models: 440V III 50/60 Hz No neutral

TECHNICAL DATA	UNIT.	DTM-11 COMFORT		DTM-18 COMFORT		DTM-23 COMFORT	
CAPACITY							
Capacity 1/18	Kg	12		18		26	
Capacity 1/20	Kg	11		17		23	
Hourly Output COMFORT*	Kg/h	28,6		31,9		40,6	
Evaporation capacity COMFORT*	l/h	14,5		16,3		20,4	
DRUM							
Ø Drum	mm	750		750		855	
Ø Door	mm	574		574		574	
Door center height	mm	976		976		1.030	
Load hole bottom height	mm	689		689		743	
Drum length	mm	475		746		800	
Drum volume	l	210		330		460	
POWER							
Drum motor power	Kw	0,37		0,37		0,37	
Fan motor power COMFORT	Kw	0,25		0,25		0,55	
Electric heating power ALL RANGES	Kw	12		18		24	
Total electric power (elec.model) COMF	Kw	12,67		18,67		24,97	
Gas heating power ALL RANGES	Kw	20,51		20,51		31	
Total electric power (gas model) COMF	Kw	0,67		0,67		0,97	
Steam heating power ALL RANGES	Kw	30		30		49,2	
Steam heating power (gas model) COMF	Kw	0,67		0,67		0,97	
CONNECTIONS		ELECTRICAL	STEAM / GAS	ELECTRICAL	STEAM / GAS	ELECTRICAL	STEAM / GAS
Tension 230V - I + N + T	Nº x mm2 / A	3 x 35 / 63A	3 x 1,5 / 20A	-	3 x 1,5 / 20A	-	3 x 1,5 / 20A
Tension 230V - III + T	Nº x mm2 / A	4 x 10 / 40A	3 x 1,5 / 20A	4 x 16 / 63A	3 x 1,5 / 20A	4 x 25 / 80A	3 x 1,5 / 20A
Tension 400V - III + N + T	Nº x mm2 / A	5 x 4 / 25A	3 x 1,5 / 20A	5 x 10 / 32A	3 x 1,5 / 20A	5 x 10 / 40A	3 x 1,5 / 20A
Ø Gas inlet	BSP	1/2"		1/2"		1/2"	
Ø Steam inlet	BSP	3/4"		3/4"		1"	
Ø Condensed (Steam models)	BSP	3/4"		3/4"		1"	
DIMENSIONS / PACKING DIMENSIONS							
Net Width / Gross Width	mm	785 / 865		785 / 865		890/970	
Net Depth / Gross Depth	mm	840 / 940		1.110 / 1.210		1.245/1.345	
Net Height / Gross Height	mm	1.694 / 1.840		1.694 / 1.840		1.812/1.940	
Height without heating battery	mm	-		-		-	
Net weight / Gross weight	Kg	172 / 180		187 / 200		210/230	
OTHERS							
Max airflow COMFORT	m3/h	850		850		1.200	
Ø Fume exhaust	mm	200		200		200	
Sound level COMFORT	dB	64		64		65	

* It may vary depending on the type of heating, filter cleanliness or extraction type.



- 01 ELECTRIC CONNECTION
- 02 FUMES OUTLET Ø200
- 03 GAS CONNECTION 1/2"
- 04 STEAM CONNECTION 3/4"

	A	B	C	D	D1	E	F	G	H	I	J	K	L	M	N
DTM-11	1694	1447	689	1354	1422	68	785	855	735	95	821	575	1226	133	180
DTM-18	1694	1447	689	1354	1422	68	785	1125	735	95	821	575	1226	133	180
DTM-23	1812	1552	743	1430	1532	112	890	1255	735	205	862	575	1344	133	180