

# BARRIER WASHER EXTRACTORS

## POWER, CONTROL AND TOTAL DESINFECTION

### FEATURES

- High spin soft mounted washer extractor, no need of anchorage, 2 opposed doors.
- Capacity 49 kg.
- Extraction speed 945 Rpm.
- G force 350.
- Body, drum and vat in stainless steel.
- Horizontally suspended drum by means of two axles which increase robustness, 1 compartment.
- Soap dispenser with 4 compartments.
- 8 signals for liquid dosing.
- Three water inlets standard in all range.
- Out of balance detection by means of the inverter.
- New TOUCH microprocessor with a lot of devices for a greater flexibility. 26 preset programs, unlimited creation of new programs.
- WET CLEANING system integrated (standard).
- OPTIMAL LOAD system integrated: manual indication of load.
- Traceability - storage of data.
- Electric or steam heating.
- Standard double display.

### ASM-50 TOUCH

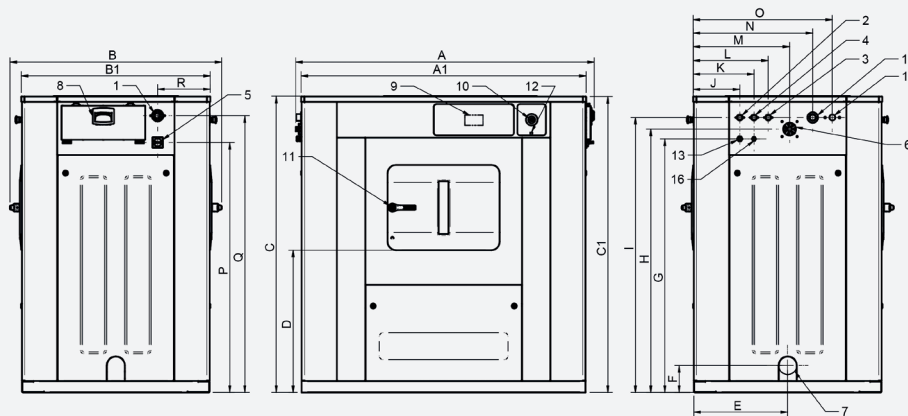


### OPTIONS

- 2nd drain valve.
- Central position drain valve.
- Detergent bath sampling.
- Weighing sensor system on feet.
- Electric brake.
- Relay card to increase up to 14 signals for liquid dosing.
- Dual heating electric+steam.
- Plinth up to height 850mm door bottom.
- Stainless steel wall frame.



TECHNICAL DATA	UNIT.	ASM-50 TOUCH	
<b>DRUM</b>			
Capacity 1:9 / 1:10	Kg	55 / 49	
Volume	l	489	
Diameter	mm	800	
Depth	mm	974	
Number of compartments	Nº.	1	
<b>GENERAL DETAILS</b>			
Washing speed / Spining speed	r.p.m.	45 / 900	
G Factor	-	350	
Maximum force transmitted	KN	14,07 ±3,51	
Frequency-dynamic force	Hz	15	
Sound level	dB	< 70	
Double drain	-	Opt	
Weighing System	-	Opt	
<b>DOOR</b>			
Height base door	mm	798	
Drum opening dimensions	mm	450 x 320	
Vat opening dimensions	mm	510 x 460	
<b>POWER</b>			
Motor	kW	5,5	
Electric heating	kW	36	
Max. power (Electric model)	kW	41,5	
Max. power (Hot water model)	kW	5,5	
Max. power (Steam model)	kW	5,5	
<b>CONNECTIONS</b>			
		<b>ELECTRIC</b>	<b>STEAM / HOT WATER</b>
Tension 230V- I + N + T	Nº x mm2 / A	-	-
Tension 230V- III + T	Nº x mm2 / A	3 x 25 / 125A	3 x 2,5 / 16A
Tension 400V- III + N + T	Nº x mm2 / A	4 x 16 / 63A	4 x 2,5 / 10A
Steam inlet (Steam mod.)	inch	3/4"	
Maximum steam consumption (Steam mod.)	Kg/h	23,275	
Water inlet	inch	1"	
Water main pressure	Kgs/cm <sup>2</sup>	3-5	
Maximum water consumption*	Lit/h	450*	
Drain	mm/inch	3"	
Drainage capacity	Lit/min	200	
<b>DIMENSIONS / PACKING DIMENSIONS</b>			
Width / Width	mm	1.602 / 1.752	
Depth / Depth	mm	1.062 / 1.222	
Height / Height	mm	1.660 / 1.694	
Net weight / Gross weight	kg	1.056 / 1.090	
Volume	m <sup>3</sup>	3,63	



\* Nº2 Program, 100% load

- 01. Electrical connection
- 02. Hot water
- 03. Cold water
- 04. Soft water
- 05. Main switch
- 06. Liquid soap inlet
- 07. Drain
- 08. Soap box
- 09. Control panel
- 10. Emergency stop button
- 11. Door opening
- 12. USB port
- 13. Pump connection for soap box
- 14. Steam inlet
- 15. Vent
- 16. Water for soap box

	A	B	C	A1	B1	C1	D	E	F	G	H	I	J	K	L	M	N	O	P	Q	R	S
ASM-50	1.679	1.190	1.662	1.602	1.062	1.660	798	528	152	1.478	1.543	262	342	422	542	682	1.423	1.403	1.553	296	-	-