



## TUMBLE DRYERS

SOMETIMES LESS CAN BE MORE

### FEATURES

- Tumble dryer in galvanised steel.
- Big loading door (opening of 180°).
- Direct drive through a gearbox, no pulley.
- Time and temperature selection. (These models do not allow the moisture control option).
- REVERSE ACTION: All models offer the reverse turning of the drum.
- Drum in galvanised steel.
- Radial airflow circuit.
- FULL SCREEN FILTER: New filter drawer with wide surface and improved airflow.
- COOL DOWN: Anti-wrinkle at the end of cycle.
- Models available in electric or gas heating.

### DLC-11-18 LOW COST

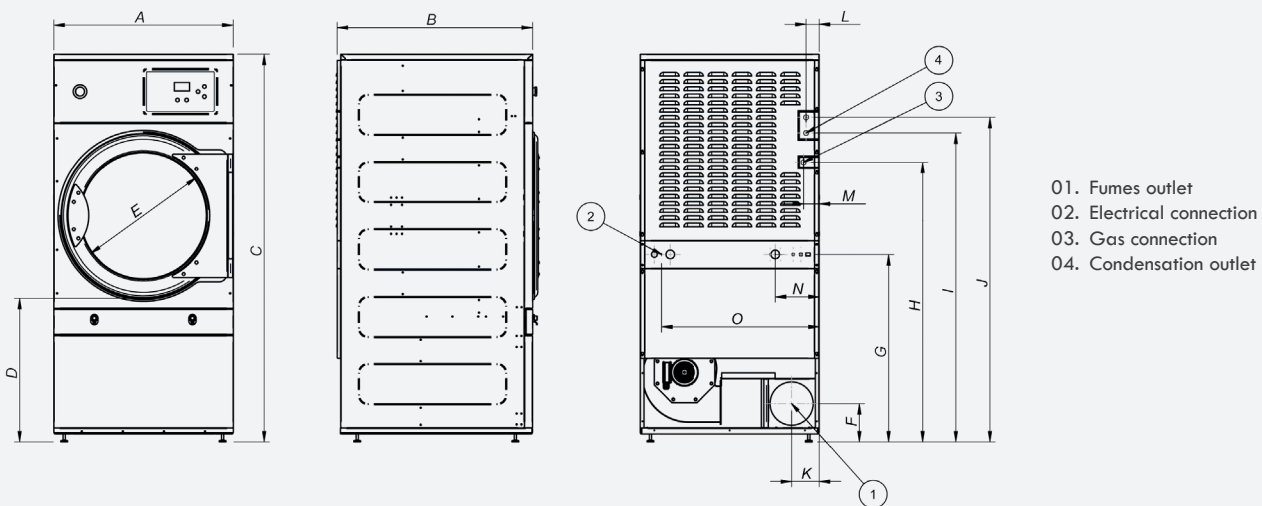


### OPTIONS

- Version in 60 Hz.
- Marine versions 440V III 60 Hz No neutral or 480V III 60 Hz No neutral.



TECHNICAL DATA	UNIT.	DLC-11 LOW COST		DLC-18 LOW COST	
<b>CAPACITY</b>					
Capacity 1/18	Kg	12		18	
Capacity 1/20	Kg	11		17	
Hourly Output LOW COST	Kg/h	21		33	
Evaporation capacity LOW COST	l/h	10,9		17,2	
<b>DRUM</b>					
Ø Drum	mm	750		750	
Ø Door	mm	574		574	
Door center height	mm	976		976	
Load hole bottom height	mm	689		689	
Drum length	mm	475		746	
Drum volume	l	210		330	
<b>POWER</b>					
Drum motor power	Kw	0,25		0,25	
Fan Motor Power LOW COST	Kw	0,25		0,25	
Total Installed power LOW COST	Kw	12,55		18,55	
Electric Heating (Installed power)	Kw	12		18	
Gas heating (installed Power) in KW	Kw	20,51		20,51	
Gas heating (installed el. power) LOW COST	Kw	0,55		0,55	
Steam heating (Steam Power KW)	Kw	30		30	
Steam heating ( installed el. power) LOW COST	Kw	0,55		0,55	
<b>CONNECTIONS</b>		<b>ELECTRICAL</b>		<b>GAS</b>	
Tension 230V - I + N + T	Nº x mm2 / A	2 x 35 / 63A	2 x 1,5 / 20A	-	2 x 1,5 / 20A
Tension 230V - III + T	Nº x mm2 / A	3 x 10 / 40A	3 x 1,5 / 20A	3 x 16 / 63A	3 x 1,5 / 20A
Tension 400V - III + N + T	Nº x mm2 / A	4 x 4 / 25A	4 x 1,5 / 20A	4 x 10 / 32A	4 x 1,5 / 20A
Ø Gas inlet	BSP	1/2"		1/2"	
<b>DIMENSIONS / PACKING DIMENSIONS</b>					
Width / Width	mm	785 / 865		785 / 865	
Depth / Depth	mm	840 / 940		1110 / 1210	
Height / Height	mm	1694 / 1840		1694 / 1840	
Height without heating battery	mm	-		-	
Net weight / Gross weight	Kg	172 / 180		187 / 200	
<b>OTHERS</b>					
Max airflow LOW COST	m3/h	850		850	
Ø Fume exhaust	mm	200		200	
Sound level LOW COST	dB	64		64	



	A	B	C	D	E	F	G	H	I	J	K	L	M	N	O
DLC-11	785	840	1700	618	574	168	821	1226	1354	1422	121	56	68	192	690
DLC-18	785	1010	1700	618	574	168	821	1226	1354	1422	121	56	68	192	690