



## TUMBLE DRYERS

SOMETIMES LESS CAN BE MORE

### FEATURES

- Tumble dryer in galvanised steel.
- Big loading door (opening of 180°).
- Direct drive through a gearbox, no pulley.
- Time and temperature selection. (These models do not allow the moisture control option.)
- REVERSE ACTION: All models offer the reverse turning of the drum.
- Drum in galvanised steel.
- Radial airflow circuit.
- FULL SCREEN FILTER: New filter drawer with wide surface and improved airflow.
- COOL DOWN: Anti-wrinkle at the end of cycle.
- Models available in electric or gas heating.

### DLC-23 LOW COST

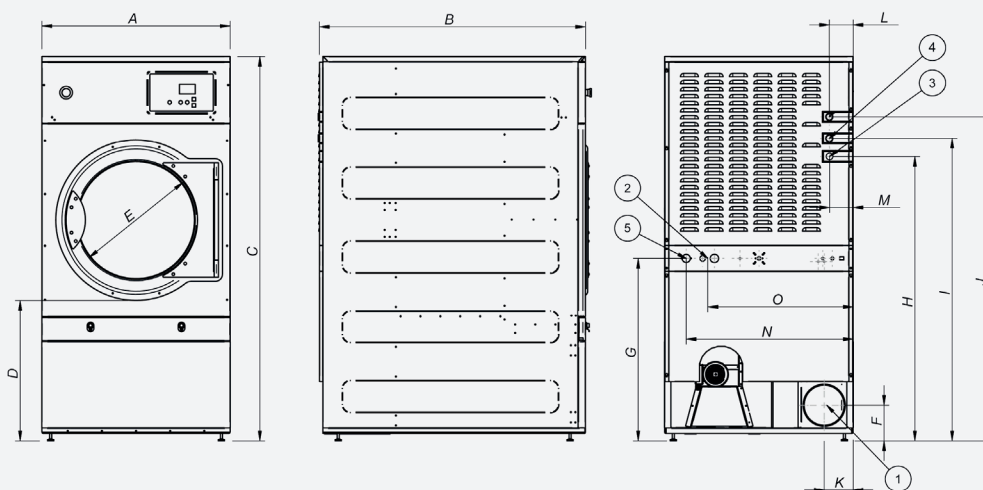


### OPTIONS

- Version in 60 Hz.
- Marine versions 440V III 60 Hz No neutral or 480V III 60 Hz No neutral.



TECHNICAL DATA	UNIT.	DTA/DTP-23 LOW COST	
<b>CAPACITY</b>			
Capacity 1/18	Kg	26	
Capacity 1/20	Kg	23	
Hourly Output LOW COST	Kg/h	46	
Evaporation capacity LOW COST	l/h	23,9	
<b>DRUM</b>			
Ø Drum	mm	855	
Ø Door	mm	574	
Door center height	mm	1030	
Load hole bottom height	mm	743	
Drum length	mm	800	
Drum volume	l	460	
<b>POWER</b>			
Drum motor power	Kw	0,37	
Fan Motor Power LOW COST	Kw	0,55	
Total Installed power LOW COST	Kw	24,97	
Electric Heating (Installed power)	Kw	24	
Gas heating (installed Power) in KW	Kw	31	
Gas heating (installed el. power) LOW COST	Kw	0,97	
Steam heating (Steam Power KW)	Kw	49,2	
Steam heating ( installed el. power) LOW COST	Kw	0,97	
<b>CONNECTIONS</b>		<b>ELECTRICAL</b>	<b>GAS</b>
Tension 230V - I + N + T	Nº x mm2 / A	-	2 x 1,5 / 20A
Tension 230V - III + T	Nº x mm2 / A	3 x 25 / 80A	3 x 1,5 / 20A
Tension 400V - III + N + T	Nº x mm2 / A	4 x 10 / 40A	4 x 1,5 / 20A
Ø Gas inlet	BSP	1/2"	1/2"
<b>DIMENSIONS / PACKING DIMENSIONS</b>			
Width / Width	mm	890/970	
Depth / Depth	mm	1245/1345	
Height / Height	mm	1812/1940	
Height without heating battery	mm	-	
Net weight / Gross weight	Kg	210/230	
<b>OTHERS</b>			
Max airflow LOW COST	m3/h	1200	
Ø Fume exhaust	mm	200	
Sound level LOW COST	dB	65	



- 01. Fumes outlet
- 02. Electrical connection
- 03. Gas connection
- 04. Condensation outlet
- 05. Anti fire water valve

	A	B	C	D	E	F	G	H	I	J	K	L	M	N	O
DLC-23	890	1245	1817	672	574	168	862	1344	1430	1532	137	113	112	787	685