



TUMBLE DRYERS

DESIGNED TO MEET ALL NEEDS

FEATURES

- Tumble dryer designed for CLEANROOMS.
- Construction in grey skinplate, stainless steel look.
- Big loading door (opening of 180°).
- Direct drive through a gearbox, no pulley.
- DTP range: Electronic control. Easy and intuitive to use, the electronic control offers a complete control of the process.
- STAINLESS STEEL DRUM: AISI 430 standard.
- SOFT DRY: The new drum with stamped holes makes sure the linen is gently handled.
- REVERSE ACTION: All models offer the reverse turning of the drum.
- DOUBLE FLOW: Mixed axial-radial airflow to optimise and maximise the airflow circuit in the drum.
- FULL SCREEN FILTER: New filter drawer with wide surface and improved airflow. As options opening from the side.
- COOL DOWN: Anti-wrinkle at the end of cycle.
- Models available in electric or steam heating.

DTP-23 CLEANROOM



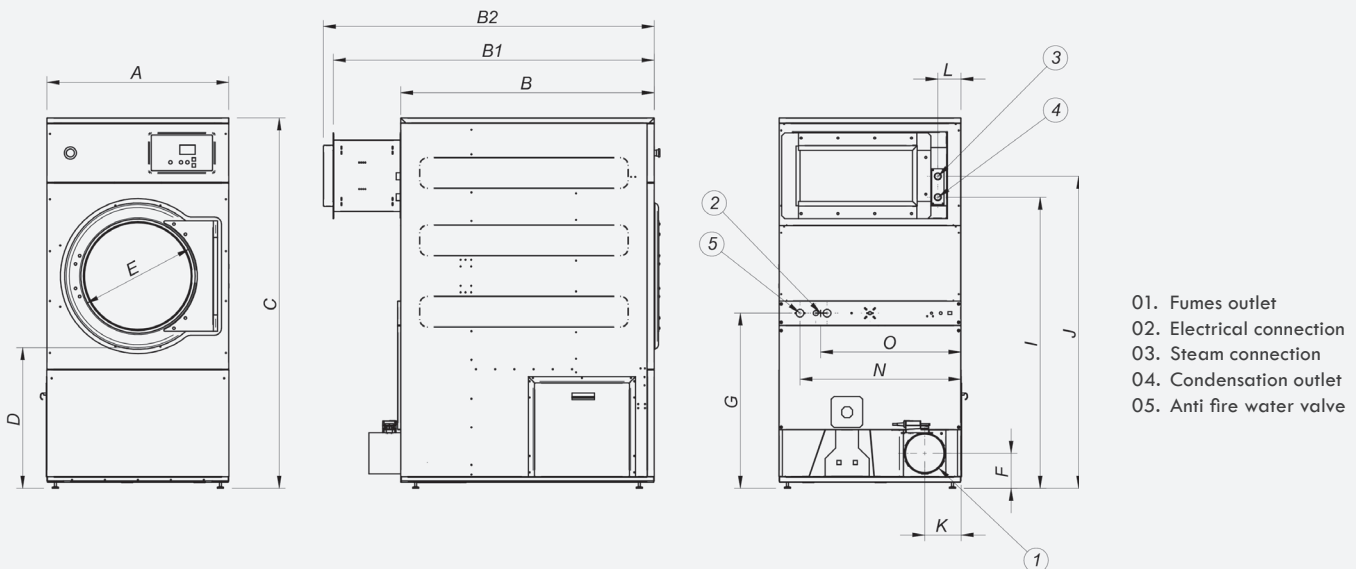
OPTIONS

- Stainless steel AISI 304 panels (top and base also).
- Side fluff filter door.
- Double glass door.
- Loading door inner side in st. steel AISI 304.
- Preinstallation for HEPA filter (+ fan and adaptor).
- St. Steel AISI 304 HEPA 13 filter.
- St. Steel AISI 304 HEPA 14 filter.
- Pre-filter.
- St. Steel AISI 304 drum.
- St. Steel AISI 316 L drum.
- St. Steel AISI 316 L electropolished drum.
- Humidity sensor.
- SFEX: Fire extinguisher.
- Automatic damper in outlet.
- PT100 temperature probe.



TECHNICAL DATA		UNIT.	DTP-23 CLEANROOM	
CAPACITY				
Capacity 1/18		Kg		26
Capacity 1/20		Kg		23
Hourly Output CLEANROOM		Kg/h		46
Evaporation capacity CLEANROOM		l/h		23,9
DRUM				
Ø Drum		mm		855
Ø Door		mm		574
Door center height		mm		1.030
Load hole bottom height		mm		743
Drum length		mm		800
Drum volume		l		460
POWER				
Drum motor power		Kw		0,37
Fan Motor Power CLEANROOM		Kw		0,75
Electric Heating (Total Installed power) CLEANROOM		Kw		25,17
Electric Heating (Installed power)		Kw		24
Steam heating (Steam Power KW)		Kw		49,2
Steam heating (installed el. power) CLEANROOM		Kw		1,17
CONNECTIONS		ELECTRICAL		STEAM
Tension 230V - I + N + T	Nº x mm2 / A	-		3 x 1,5 / 20A
Tension 230V - III + T	Nº x mm2 / A	4 x 25 / 80A		4 x 1,5 / 20A
Tension 400V - III + N + T	Nº x mm2 / A	5 x 10 / 40A		5 x 1,5 / 20A
Ø Steam inlet	BSP			1"
Ø Condensed (Steam models)	BSP			1"
DIMENSIONS / PACKING DIMENSIONS				
Width / Width	mm	890/970		
Depth / Depth	mm	1.622/1.345		
Height / Height	mm	1.817/1.940		
OTHERS				
Max airflow CLEANROOM	m3/h	1.500		
Ø Fume exhaust	mm	200		
Sound level CLEANROOM	dB	65		

Important: HEPA filter is delivered inside the filter compartment.



	A	B	B1	B2	C	D	E	F	G	I	J	K	L	N	O
DTP-23 CLEANROOM	890	1.245	1.572	1.622	1.817	672	574	168	862	1.430	1.532	137	113	787	685