



COMPACT FLATWORK IRONERS

SHEER PRODUCTION VOLUME IN REALLY REDUCED SPACES

FEATURES

- Roll sizes: 2600 and 3300 mm wide and 600 mm diameter.
- Panels in painted steel.
- One or two working lanes: one lane for bedsheets and two lanes for tablecloths and small pieces.
- Length fold with 1 or 2 folds in two independent lanes.
- Folding by photocells and compressed air.
- Frequency control.
- Feeding and ironing belts are Nomex.

CEPHEUS CE2660-3360

- Touch-screen control: programs can be created with speed control (between 3 and 18 mts/min), temperature and folding parameters.
- Big output capacity, depending on the residual moisture of the linen, up to 140 kg/hour straight from the high spin washer extractor.
- Electric, gas or steam heating.
- Powerful exhaust System.



OPTIONS

- Automatic 1 lane clamp feeder with vacuum feeding belts.
- Small pieces back collector: 2 or 4 lanes.
- Vacuum table to help the linen feeding.
- Linen reject system.
- Double air pressure in length folds for thicker linen.
- Rear exit with by-pass included.
- Motorized rear exit - height of 850mm.
- Cross folder PL-Cross + stacker for Cepheus.



SECADO
DRYING

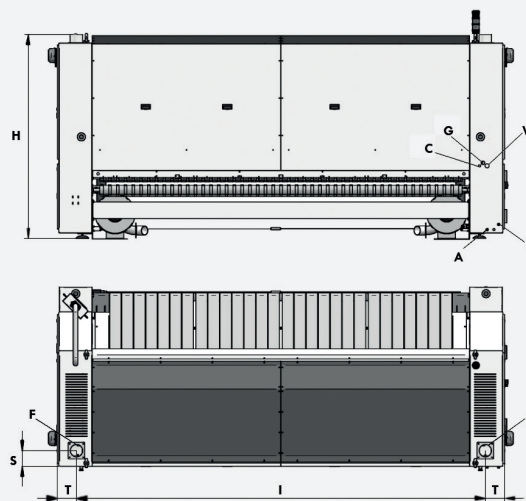


PLANCHADO
IRONING



PLIEGUE LONGITUDINAL
LENGTH FOLD

TECHNICAL DATA	UNIT.	CE2660	CE3360
GENERAL DETAILS			
Theoretical production	Kg/h	75-105	110-140
Ø Roll	mm	600	600
Working width	mm	2.600	3.300
Height floor-feeding	mm	1.050	1.050
Working speed	mt/min	3-10	3-10
Control type	-	Touch	Touch
Programmes	Nº	20	20
FOLDING			
1 lane - Primary fold	Nº	1-2	1-2
1 lane - Cross fold	Nº	-	-
2 lanes - Primary fold	Nº	1-2	1-2
2 lanes - Cross fold	Nº	-	-
POWER			
Heating power (electric model)	kW	60	60
Total electric power (electric model)	kW	61,9	61,9
Heating power (gas model)	kW	65	82
Total electric power (gas model)	kW	1,9	1,9
Heating power (steam model)	kW	55	75
Total electric power (steam model)	kW	1,9	1,9
CONNECTIONS			
Ø Gas inlet	BSP	1"	1"
Ø Steam inlet	BSP	1"	1"
Ø Condensed (Steam model)	BSP	1/2"	1/2"
Ø Air inlet	mm	12	12
DIMENSIONS / PACKAGING DIMENSIONS			
Width / Width	mm	3.674/3.760	4.374/4.460
Depth / Depth	mm	1.445/1.540	1.445/1.540
Height / Height	mm	1.810/2.060	1.810/2.060
Weight / Weight	Kg	2.050/2.300	2.300/2.600
Volume	m3	9,61/11,93	11,44/14,15
OTHERS			
No. Fume outlet	Nº	2	2
Ø Fume outlet	mm	120	120
Air flow	m3/h	2 x 1.000	2 x 1.000
Air Consumption (6,5 Bar)	NI/h	7.000	7.000
Sound Level	dB	70	70



- A. Compressed air inlet
- C. Condensation discharge (steam heating)
- E. Electrical connection
- F. Fumes discharge connection
- G. Gas inlet (gas heating)
- V. Steam inlet (steam heating)

	H	I	T	S	A	C	E	F	G	V
CE2660	1.800	3.242	186	152	Ø 12	1/2"	5 x 2,5	Ø 120	1"	1"
CE3360	1.800	3.942	186	152	Ø 12	1/2"	5 x 2,5	Ø 120	1"	1"