



## WALL IRONERS

THE IDEAL MACHINE FOR YOUR SMALL BUSINESS, AT THE BEST PRICE

### FEATURES

PM-1018-1218

These machines are small in dimensions and mural, so they can be placed in a reduced space, with hardly installation as they do not have air exhaust or connections except the electric supply.

- Front feed and return.
- Panels in skin plate. Top panels in stainless steel.
- Roll dimensions: from 1.000 and 1.200 mm wide and 180 mm diameter.
- Electronic microprocessor to control the temperature.

- Electric heating.
- Standard model: Roll covered in polyester and cotton felt.
- Nomex model: padded and covered in Nomex, to work at higher temperatures, up to 190°C.
- Chest in anodized aluminium.
- Manual lifting of the chest.

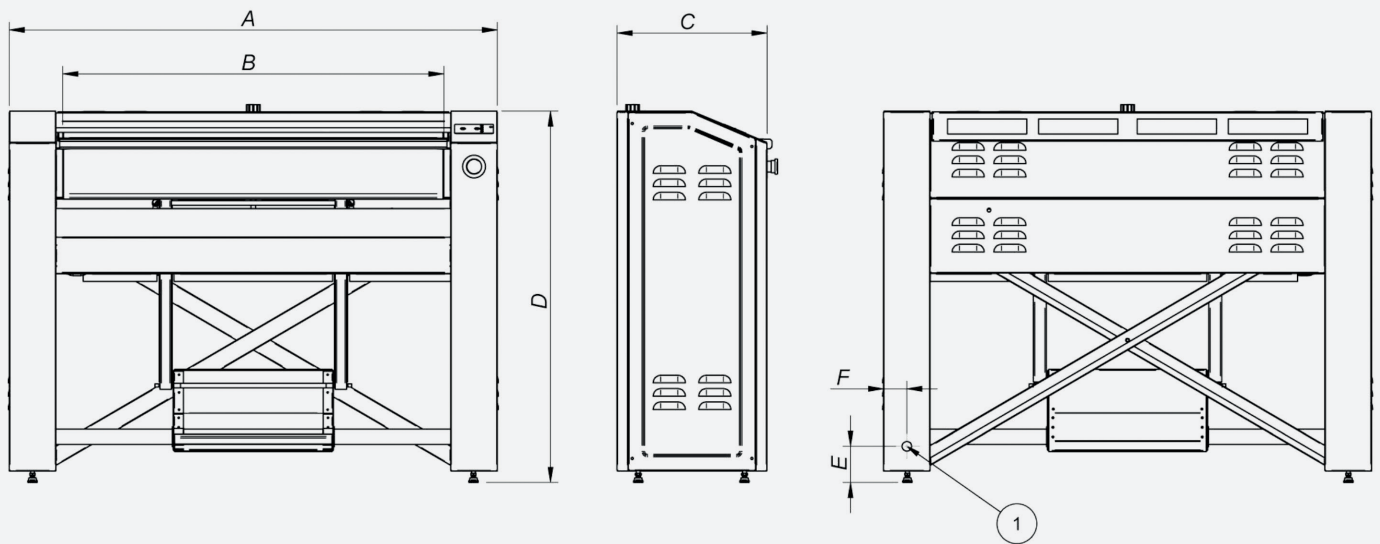


### OPTIONS

- Special voltages.



TECHNICAL DATA	UNIT.	PM-1018	PM-1218
<b>GENERAL DETAILS</b>			
Theoretical production 20-25 % humidity	Kg/h	15	20
Ø Roll	mm	180	180
Working width	mm	1.000	1.200
Working speed	mt/min	2,02	2,02
Electronic Control	-	Yes	Yes
Bed lifting	-	Manual	Manual
<b>POWER</b>			
Heating Power	Kw	3,3	4
Roller Motor Power	Kw	0,03	0,03
Total electric Power	Kw	3,33	4,03
Tension	V	230V I 50/60 Hz	230V I 50/60 Hz
<b>DIMENSIONS</b>			
Width	mm	1.286	1.486
Depth	mm	430	430
Height	mm	970	970
Weight	Kg	88	90
Volume	m3	0,54	0,62
<b>PACKAGING DIMENSIONS</b>			
Width	mm	1.490	1.690
Depth	mm	540	540
Height	mm	1.140	1.140
Weight	Kg	104	108
Volume	m3	0,74	0,85
<b>OTHERS</b>			
Sound Level	dB	45	45



	MODEL	A	B	C	D	E	F
ELECTRICAL CONNECTION	PM-1018	1.286	1.000	400	970	95	61
	PM-1218	1.486	1.200	400	970	95	61