



## WALL IRONERS

THE IDEAL MACHINE FOR YOUR SMALL BUSINESS, AT THE BEST PRICE

### FEATURES

PM-1025-1225-1425

These machines are small in dimensions and mural, so they can be placed in a reduced space, with hardly installation as they do not have air exhaust or connections except the electric supply.

- Front feed and return.
- Panels in skin plate. Top panels in stainless steel.
- Roll dimensions: from 1.000 to 1.400 mm wide and 250 mm diameter.
- Electronic microprocessor to control the temperature.

- Electric heating.
- Standard model: Roll covered in polyester and cotton felt.
- Nomex model: padded and covered in Nomex, to work at higher temperatures, up to 190°C.
- Chest in anodized aluminium.
- Automatic lifting of the chest.

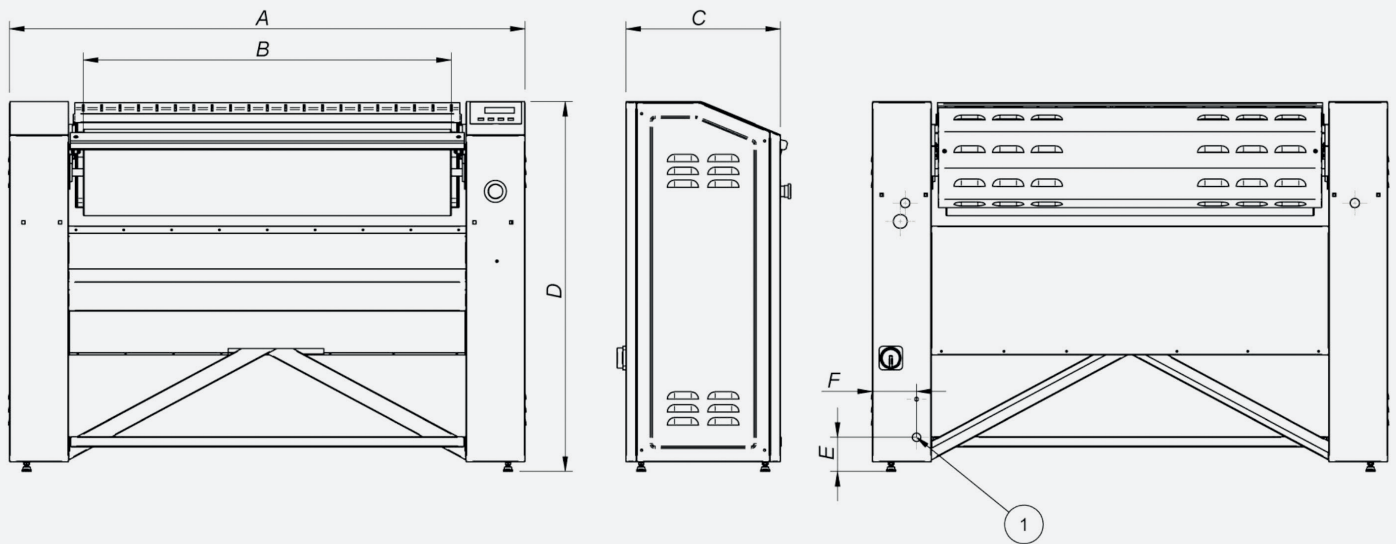


### OPTIONS

- Special voltages.



TECHNICAL DATA	UNIT.	PM-1025	PM-1225	PM-1425
<b>GENERAL DETAILS</b>				
Theoretical production 20-25 % humidity	Kg/h	30	35	40
Ø Roll	mm	250	250	250
Working width	mm	1.000	1.200	1.400
Working speed	mt/min	4,2	4,2	4,2
Electronic Control	-	Yes	Yes	Yes
Bed lifting	-	Auto	Auto	Auto
<b>POWER</b>				
Heating Power	Kw	4,95	6	7
Roller Motor Power	Kw	0,18	0,18	0,18
Total electric Power	Kw	5,13	6,18	7,18
Tension	V	400V III 50Hz (option 230V I)	400V III 50Hz (option 230V I)	400V III 50Hz (option 230V I)
<b>DIMENSIONS</b>				
Width	mm	1.400	1.600	1.800
Depth	mm	445	445	445
Height	mm	1.005	1.005	1.005
Weight	Kg	86	99	107
Volume	m3	0,63	0,72	0,81
<b>PACKING DIMENSIONS</b>				
Width	mm	1.490	1.690	1.900
Depth	mm	540	540	540
Height	mm	1.140	1.140	1.140
Weight	Kg	115	122	134
Volume	m3	0,92	1,04	1,17
<b>OTHERS</b>				
Sound Level	dB	55	55	55



	MODEL	A	B	C	D	E	F
ELECTRICAL CONNECTION	PM-1025	1.400	1.000	420	1.005	93	120
	PM-1225	1.600	1.200	420	1.005	93	120
	PM-1425	1.800	1.400	420	1.005	93	120